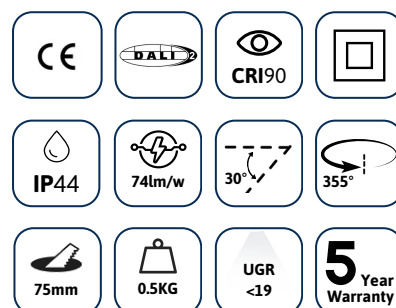




EDGE
LIGHTING

COMPAQ SLOT

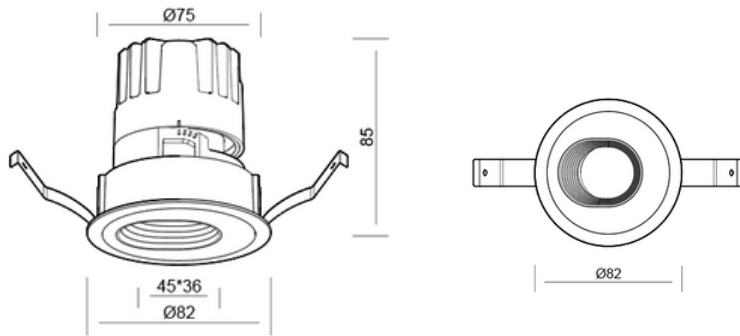
The Slot is the tiltable pinspot in the Compaq range, discreetly highlighting a specific element with very narrow beam, and tilt up to 30 degrees angle. Available as trimless finish or with trimmed bezel.



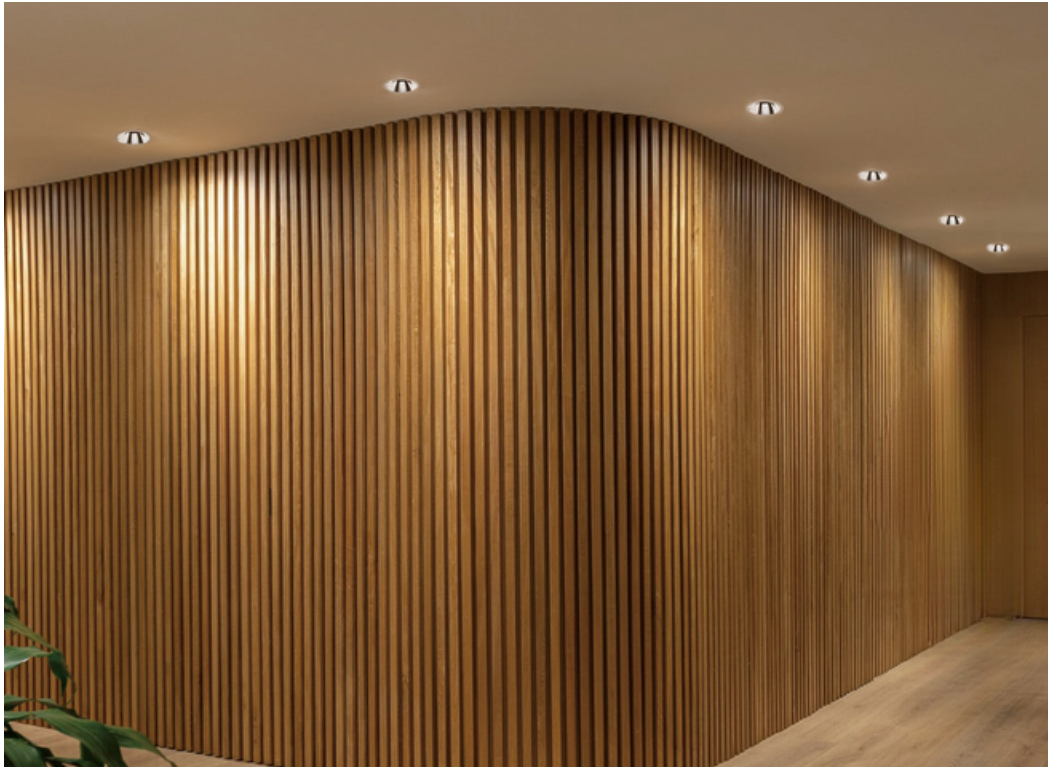
TECHNICAL INFORMATION

Installation	Recessed plaster-in (RP) or Recessed (R)
Body Colour	White (W)
Dimensions	Ø82mm x 85mm
Lumen Output	1100lm (15W)
Colour Temperature	3000K or 4000K
Colour Rendering Index	CRI90
Optical Distribution	Tiltable Pinspot Beam (TPS)
Ingress Protection	IP44
Controls	Fixed Output (FO), DALI (DD), Q-Sense (QS) or Casambi (CS)
Emergency	-
Accessories	-

DIMENSIONS



PRODUCT SHOWCASE



PRODUCT CODE

COMSLOT/R/W/1100LM/4000K/90/TPS/44/DD

Compaq Slot, recessed, white finish, 1100 lumens, 4000K, CRI90, tiltable pinspot beam, IP44 rated, DALI dimming

SPECIFICATIONS MAY BE ALTERED WITHOUT ADVANCE NOTICE.



Contact us for more information

☎ 020 8687 0190

✉ sales@edgelighting.co.uk



EDGE
LIGHTING

EDGELIGHTING.CO.UK