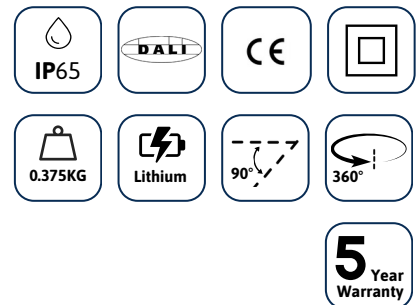




EDGE LIGHTING

EMTEQ AQUA2

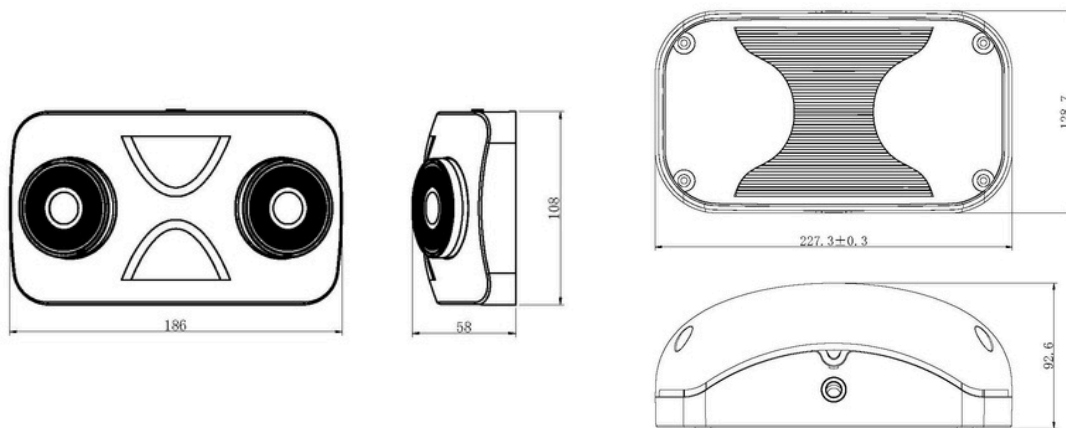
A modern take on legacy Frogeye emergencies with a waterproof casing, the Aqua2 boasts two tiltable spotlight beams, typically used in wet exposed areas. Self-test as standard with long lasting lithium batteries for peace of mind.




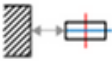
TECHNICAL INFORMATION

Installation	Surface Mounted (SM)
Body Colour	White (W) or Black (B)
Dimensions	186mm x 108mm x 58mm
Lumen Output	400lm (4W)
Discharge Duration	3 Hours
Test Mode	Auto Test (AT) or DALI Emergency (EMD)
Optical Distribution	Corridor (CO) or Open Area (OA)
Ingress Protection	IP65
Battery Type	LiFePO4 6.4V 1500mAh
Legends Supplied	-
Accessories	-

DIMENSIONS



SPACING TABLE GUIDE (ROUND LENS)

Height (m)				
2	3	7.6	3.8	8.7
2.5	3.2	7.7	4.1	9.5
3	3.4	8.1	4.6	10.5
3.5	3.6	8.3	4.9	11
4	3.8	8.7	5.2	11.9
4.5	4	9	5.4	12.3
5	4.2	9.3	5.6	12.8

PRODUCT CODE

EMAQUA2/SM/W/400LM/AT/OA/65

Emteq Aqua 2, surface mounted, white finish, 400 lumens, automatic test, open area, IP65 rated

SPECIFICATIONS MAY BE ALTERED WITHOUT ADVANCE NOTICE.



Contact us for more information

☎ 020 8687 0190

✉ sales@edgelighting.co.uk



EDGE
LIGHTING

EDGELIGHTING.CO.UK