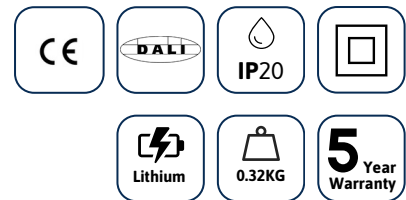




EDGE
LIGHTING

EMTEQ PUQ

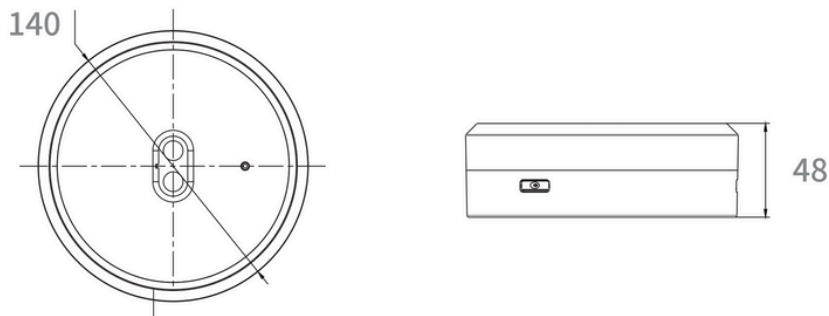
Compact by design in round form for surface mounting onto solid ceilings, the Puq provides compliance without clutter. Self-test as standard with long lasting lithium batteries for peace of mind.





TECHNICAL INFORMATION

Installation	Surface Mounted (SM)
Body Colour	White (W)
Dimensions	Ø140mm x 48mm
Lumen Output	250lm (3W)
Discharge Duration	3 Hours
Test Mode	Auto Test (AT) or DALI Emergency (EMD)
Optical Distribution	Corridor (CO) or Open Area (OA)
Ingress Protection	IP20 or IP65
Battery Type	LiFePO4 6.4V 1500mAh
Legends Supplied	-
Accessories	IP65 Adapter (IP65)

DIMENSIONS



SPACING TABLE GUIDE (ROUND LENS)

Height (m)		
2	5.2	12
2.5	6	13.7
3	6.8	15.4
3.5	7.3	16.8
4	7.7	17.5
4.5	8	18.5
5	8.2	19.4

PRODUCT CODE

EMPUQ/SM/W/250LM/AT/OA/20

Emteq Puq, surface mounted, white finish, 250 lumens, automatic test, open area, IP20 rated

SPECIFICATIONS MAY BE ALTERED WITHOUT ADVANCE NOTICE.



Contact us for more information

☎ 020 8687 0190

✉ sales@edgelighting.co.uk



EDGE
LIGHTING

EDGELIGHTING.CO.UK