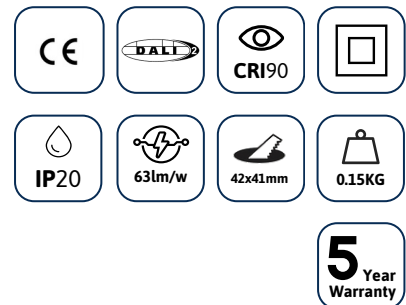




# EDGE LIGHTING

## PIXEL T1

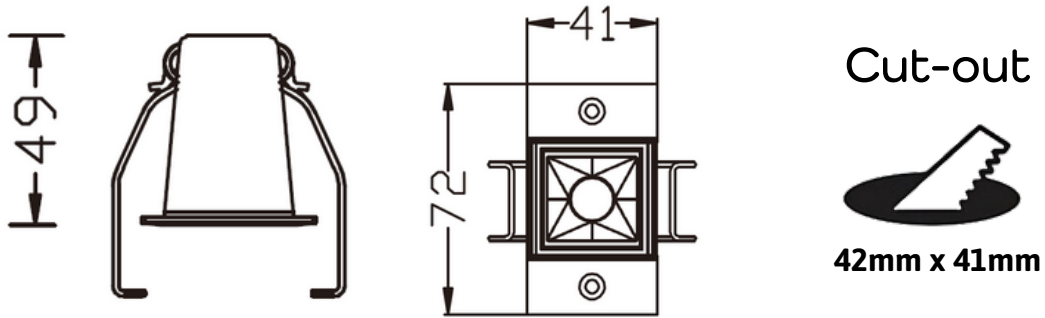
Our Pixel downlight range is specially tooled for superior glare control, ideal for premium workspaces and suites. Single-cell with trim has just a 45mm visible footprint for minimal fuss.



### TECHNICAL INFORMATION

<b>Installation</b>	Recessed (R)
<b>Body Colour</b>	White (W) or Black (B)
<b>Dimensions</b>	41mm x 72mm x 49mm
<b>Lumen Output</b>	100lm (2W)
<b>Colour Temperature</b>	3000K or 4000K
<b>Colour Rendering Index</b>	CRI90
<b>Optical Distribution</b>	Pinspot Beam (PS)
<b>Ingress Protection</b>	IP20
<b>Controls</b>	Fixed Output (FO), DALI (DD), Q-Sense (QS) or Casambi (CS)
<b>Emergency</b>	3 Hour Emergency (EM3) or DALI Emergency (EMD)
<b>Accessories</b>	-

## DIMENSIONS



## PRODUCT SHOWCASE



## PRODUCT CODE

**PXT1/R/W/100LM/4000K/90/PS/20/DD**

Pixel T1, recessed, white finish, 100 lumens, 4000K, CRI90, pinspot beam, IP20 rated, DALI dimming

SPECIFICATIONS MAY BE ALTERED WITHOUT ADVANCE NOTICE.



Contact us for more information

☎ 020 8687 0190

✉ [sales@edgelighting.co.uk](mailto:sales@edgelighting.co.uk)



**EDGE**  
LIGHTING

[EDGELIGHTING.CO.UK](http://EDGELIGHTING.CO.UK)