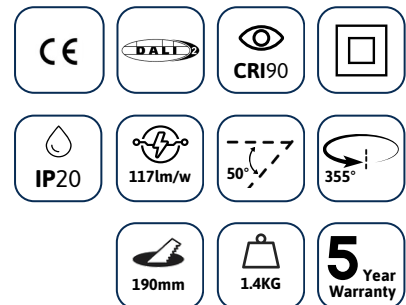




EDGE
LIGHTING

TILTEQ 190

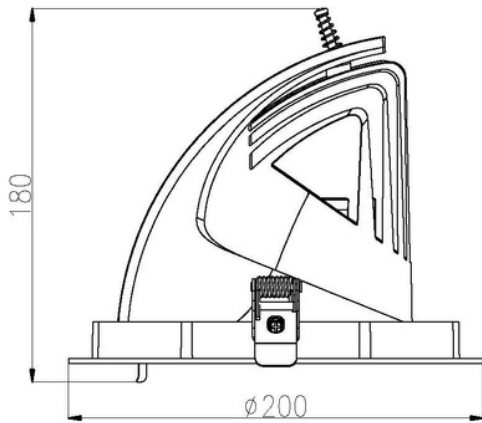
In/out adjustable LED spotlight for flooding walls & large objects with light, in medium or wide beam. 360 degrees rotational and up to 50 degrees tilt for unobstructed spot lighting.



TECHNICAL INFORMATION

Installation	Recessed (R)
Body Colour	White (W) or Black (B)
Dimensions	Ø200mm x 180mm
Lumen Output	1500lm (13W), 2000lm (17W), 3000lm (25W) or 4500lm (37W)
Colour Temperature	3000K or 4000K
Colour Rendering Index	CRI90
Optical Distribution	Medium Beam (MB) or Wide Beam (WB)
Ingress Protection	IP20
Controls	Fixed Output (FO), DALI (DD), Q-Sense (QS) or Casambi (CS)
Emergency	-
Accessories	-

DIMENSIONS



PRODUCT SHOWCASE



PRODUCT CODE

TILT190/R/W/1500LM/4000K/90/MB/20/DD

Tilteq 190, recessed, white finish, 1500 lumens, 4000K, CRI90, medium beam, IP20 rated, DALI dimming

SPECIFICATIONS MAY BE ALTERED WITHOUT ADVANCE NOTICE.



Contact us for more information

☎ 020 8687 0190

✉ sales@edgelighting.co.uk



EDGE
LIGHTING

EDGELIGHTING.CO.UK