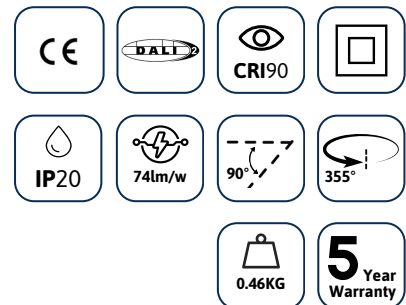




EDGE
LIGHTING

TRAQER PIXEL

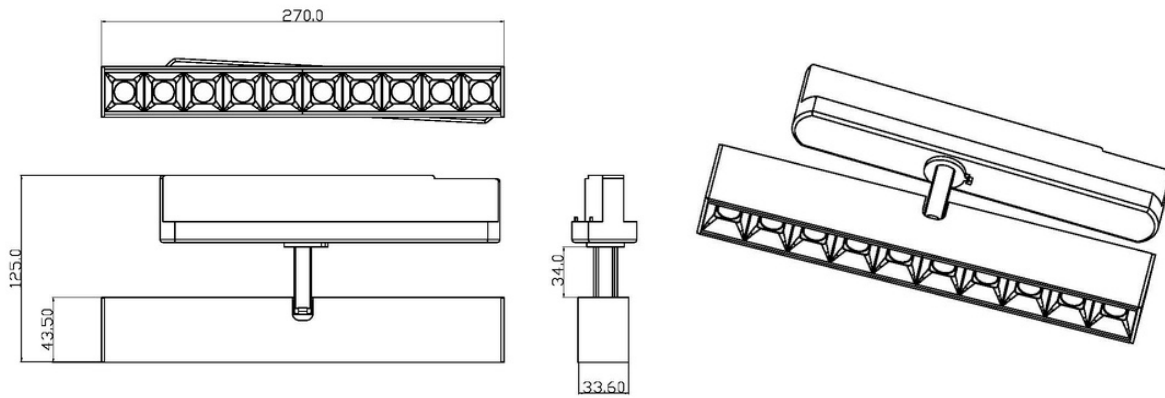
The Traqer Pixel spotlight is ideal for premium workspaces and showrooms. Specially tooled for superior glare control, each LED of the 10-cell spotlight is optically controlled.



TECHNICAL INFORMATION

Installation	Track Mounted (TM)
Body Colour	White (W) or Black (B)
Dimensions	270mm x 125mm x 34mm
Lumen Output	1100lm (15W)
Colour Temperature	3000K or 4000K
Colour Rendering Index	CRI90
Optical Distribution	Medium Beam (MB)
Ingress Protection	IP20
Controls	Fixed Output (FO), DALI (DD) or Casambi (CS)
Emergency	-
Accessories	-

DIMENSIONS



PRODUCT SHOWCASE



PRODUCT CODE

TRQPX/TM/W/1100LM/4000K/90/MB/20/DD

Traquer Pixel, track mounted, white finish, 1100 lumens, 4000K, CRI90, medium beam, IP20 rated, DALI dimming

SPECIFICATIONS MAY BE ALTERED WITHOUT ADVANCE NOTICE.



Contact us for more information

☎ 020 8687 0190

✉ sales@edgelighting.co.uk



EDGE
LIGHTING

EDGE.LIGHTING.CO.UK