



EDGE
LIGHTING

DRUMTEQ MAXI

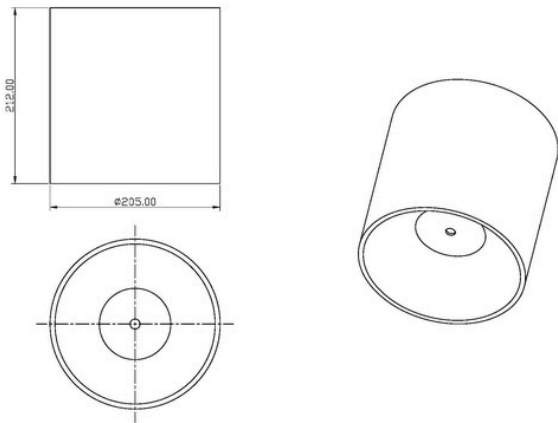
Our Drumteq range features triple anti-glare design in spun aluminium body for minimal fuss. This range is perfect for solid ceiling installations and is available surface mounted or suspended.



TECHNICAL INFORMATION

Installation	Surface Mounted (SM) or Suspended (SS)
Body Colour	White (W) or Black (B)
Dimensions	Ø205mm x 212mm
Lumen Output	4500lm (48W)
Colour Temperature	3000K or 4000K
Colour Rendering Index	CRI90
Optical Distribution	Narrow Beam (NB) or Medium Beam (MB)
Ingress Protection	IP20
Controls	Fixed Output (FO), DALI (DD) or Casambi (CS)
Emergency	3 Hour Emergency (EM3) or DALI Emergency (EMD)
Accessories	-

DIMENSIONS



PRODUCT SHOWCASE



PRODUCT CODE

DRM/MAX/SM/W/4500LM/4000K/90/NB/20/DD

Drumteq Maxi, surface mounted, white finish, 4500 lumens, 4000K, CRI90, narrow beam, IP20 rated, DALI dimming

SPECIFICATIONS MAY BE ALTERED WITHOUT ADVANCE NOTICE.



Contact us for more information

☎ 020 8687 0190

✉ sales@edgelighting.co.uk



EDGE
LIGHTING

EDGELIGHTING.CO.UK