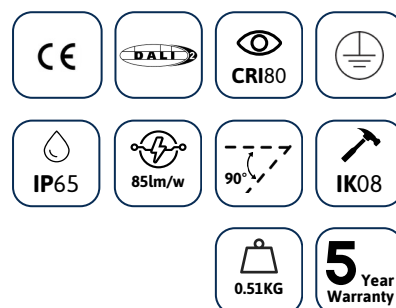




FOQUS S1

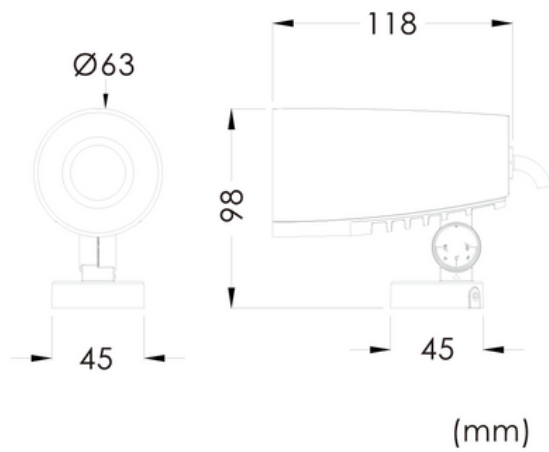
Our Foqus range is elegantly designed with a deep set LED for visual comfort, and built for durability with IK08 & IP65 protection. The S1's tight beam angle and compact form is ideal for feature lighting architectural elements.



TECHNICAL INFORMATION

Installation	Surface Mounted (SM)
Body Colour	Black (B)
Dimensions	Ø63mm x 118mm x 98mm
Lumen Output	850lm (10W)
Colour Temperature	3000K or 4000K
Colour Rendering Index	CRI80
Optical Distribution	Pinspot Beam (PS)
Ingress Protection	IP65
Controls	Fixed Output (FO) or DALI (DD)
Emergency	3 Hour Emergency (EM3) or DALI Emergency (EMD)
Accessories	Honeycomb (HC) or Pole Clamp 60mm (PC60)

DIMENSIONS



PRODUCT SHOWCASE



PRODUCT CODE

FQS/S1/SM/B/850LM/4000K/80/PS/65/DD

Foqus S1, surface mounted, black finish, 850 lumens, 4000K, CRI80, pinspot beam, IP65 rated, DALI dimming

SPECIFICATIONS MAY BE ALTERED WITHOUT ADVANCE NOTICE.



Contact us for more information

☎ 020 8687 0190

✉ sales@edgelighting.co.uk



EDGE
LIGHTING

EDGELIGHTING.CO.UK