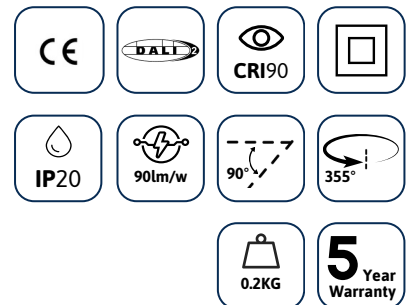




MINITRAQ 35

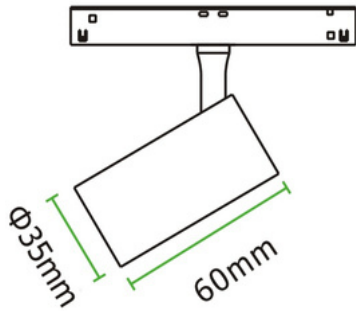
Our Minitraq spotlights harnesses anti-glare design in a precisely spun aluminium body for minimal fuss. The 35 is the smallest in the range, for accent spotlighting in compact form factor for precise illumination.



TECHNICAL INFORMATION

Installation	Track Mounted (TM)
Body Colour	White (W) or Black (B)
Dimensions	Ø35mm x 60mm
Lumen Output	300lm (3W)
Colour Temperature	3000K or 4000K
Colour Rendering Index	CRI90
Optical Distribution	Narrow Beam (NB)
Ingress Protection	IP20
Controls	DALI (DD)
Emergency	-
Accessories	-

DIMENSIONS



PRODUCT SHOWCASE



PRODUCT CODE

MIN35/TM/B/300LM/4000K/90/NB/20/DD

Minitraq 35, track mounted, black finish, 300 lumens, 4000K, CRI90, narrow beam, IP20 rated, DALI dimming

SPECIFICATIONS MAY BE ALTERED WITHOUT ADVANCE NOTICE.



Contact us for more information

☎ 020 8687 0190

✉ sales@edgelighting.co.uk



EDGE
LIGHTING

EDGELIGHTING.CO.UK