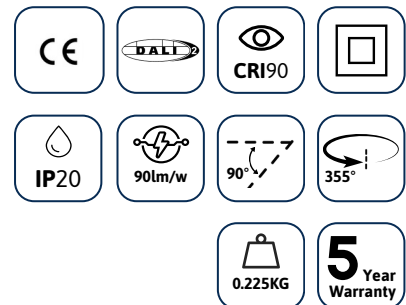




EDGE
LIGHTING

MINITRAQ 45

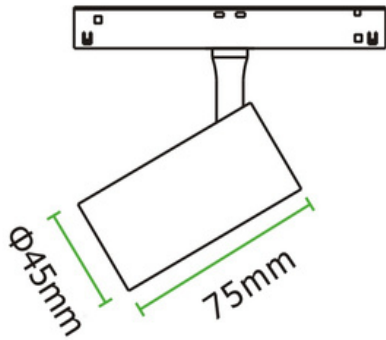
Our Minitraq spotlights harnesses anti-glare design in a precisely spun aluminium body for minimal fuss. The 45 is the mid-size in the range, for general purpose spotlighting in a wide range of environments.



TECHNICAL INFORMATION

Installation	Track Mounted (TM)
Body Colour	White (W) or Black (B)
Dimensions	Ø45mm x 70mm
Lumen Output	600lm (7W) or 850lm (10W)
Colour Temperature	3000K or 4000K
Colour Rendering Index	CRI90
Optical Distribution	Narrow Beam (NB) or Medium Beam (MB)
Ingress Protection	IP20
Controls	DALI (DD)
Emergency	-
Accessories	-

DIMENSIONS



PRODUCT SHOWCASE



PRODUCT CODE

MIN45/TM/B/600LM/4000K/90/MB/20/DD

Minitraq 45, track mounted, black finish, 600 lumens, 4000K, CRI90, medium beam, IP20 rated, DALI dimming

SPECIFICATIONS MAY BE ALTERED WITHOUT ADVANCE NOTICE.



Contact us for more information

☎ 020 8687 0190

✉ sales@edgelighting.co.uk



EDGE
LIGHTING

EDGELIGHTING.CO.UK