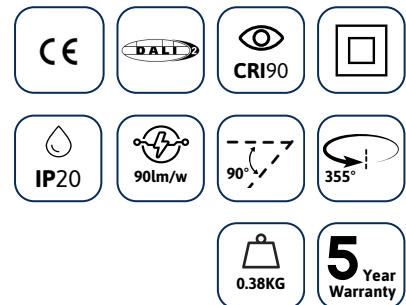




EDGE
LIGHTING

MINITRAQ 60

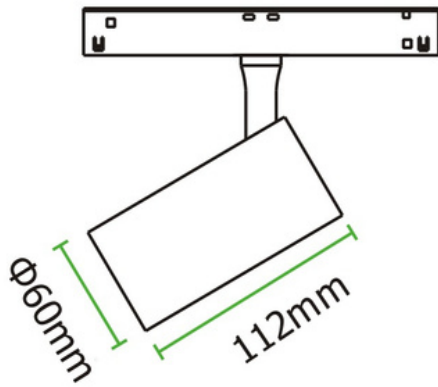
Our Minitraq spotlights harnesses anti-glare design in a precisely spun aluminium body for minimal fuss. The 60 is the largest in the range, for ambient lighting and wall washing.



TECHNICAL INFORMATION

Installation	Track Mounted (TM)
Body Colour	White (W) or Black (B)
Dimensions	Ø60mm x 112mm
Lumen Output	1000lm (11W), 1350lm (15W) or 1500lm (17W)
Colour Temperature	3000K or 4000K
Colour Rendering Index	CRI90
Optical Distribution	Medium Beam (MB) or Wide Beam (WB)
Ingress Protection	IP20
Controls	DALI (DD)
Emergency	-
Accessories	-

DIMENSIONS



PRODUCT SHOWCASE



PRODUCT CODE

MIN60/TM/B/1500LM/4000K/90/WB/20/DD

Minitraq 60, track mounted, black finish, 1500 lumens, 4000K, CRI90, wide beam, IP20 rated, DALI dimming

SPECIFICATIONS MAY BE ALTERED WITHOUT ADVANCE NOTICE.



Contact us for more information

☎ 020 8687 0190

✉ sales@edgelighting.co.uk



EDGE
LIGHTING

EDGELIGHTING.CO.UK