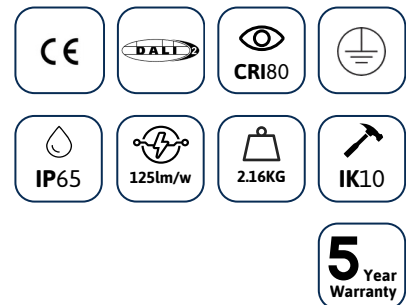


TRITON PAQ MAXI

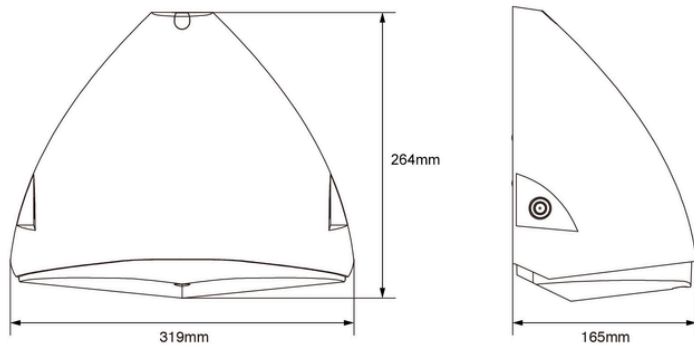
Triton Paq Maxi is the largest wallpack in the range, suitable for commercial buildings and public spaces. It offers a variety of outputs and is light colour selectable, as well as offering integral controls & emergency operation.



TECHNICAL INFORMATION

Installation	Surface Mounted (SM)
Body Colour	Black (B)
Dimensions	319mm x 165mm 265mm
Lumen Output	1700lm (13W), 2500lm (18W) or 3500lm (28W)
Colour Temperature	3000K-4000K Switchable (CCT34)
Colour Rendering Index	CRI80
Optical Distribution	Asymmetric Beam (AB)
Ingress Protection	IP65
Controls	Fixed Output (FO), DALI (DD) or Microwave (MW)
Emergency	3 Hour Emergency (EM3) or DALI Emergency (EMD)
Accessories	-

DIMENSIONS



PRODUCT SHOWCASE



PRODUCT CODE

TRIPAQ/MAXI/SM/B/3500LM/CCT34/80/AB/65/DD

Triton Paq Maxi, surface mounted, black finish, 3500 lumens, 3000K-4000K Switchable, CRI80, Flood 120°, IP65 rated, DALI Dimming

SPECIFICATIONS MAY BE ALTERED WITHOUT ADVANCE NOTICE.



Contact us for more information

☎ 020 8687 0190

✉ sales@edgelighting.co.uk



EDGE
LIGHTING

EDGELIGHTING.CO.UK